

Embedded Buck/LDO regulator supporting on-the-fly selection

Peripheral Touch Controller (PTC)

Wake-up on touch in standby mode

Two-pin Serial Wire Debug (SWD) programming, test and debugging interface

Temperature Range - 40°C to 85°C

Peripheral Features:

16-channel Direct Memory Access Controller (DMAC)

8-channel Event System

16-bit Timer/Counters (TC)

One 24-bit Timer/Counters for Control (TCC)

Frequency Meter

32-bit Real Time Counter (RTC) with clock/calendar function

8x32-bit Backup Register

Tamper Detection

Watchdog Timer (WDT)

CRC-32 generator

One full-speed (12Mbps) Universal Serial Bus (USB) 2.0 Device

Up to six Serial Communication Interfaces (SERCOM) including one low-power SERCOM

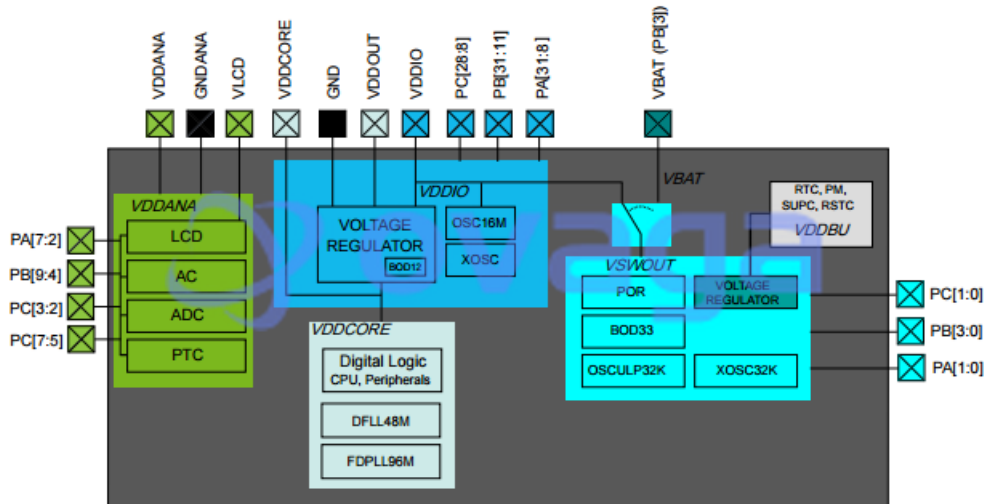
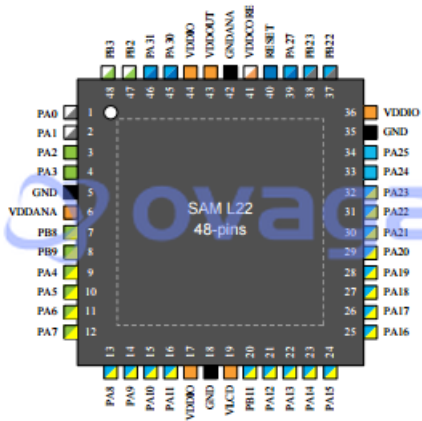
ISO7816, USART, I2C, SPI

One AES Encryption Engine & TRNG

One Configurable Custom Logic (CCL)

One 12-bit, 1MSPS Analog-to-Digital Converter (ADC)

Two Analog Comparators (AC) with window compare function



Related Products



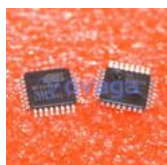
[ATSAMA5D36A-CU](#)

Microchip Technology, Inc
LFBGA-324



[ATXMEGA128D3-AU](#)

Microchip Technology, Inc
TQFP-64



[ATMEGA64M1-15AZ](#)

Microchip Technology, Inc
TQFP-32



[ATTINY48-MU](#)

Microchip Technology, Inc
VQFN-32



[ATMEGA32M1-AU](#)

Microchip Technology, Inc
TQFP-32



[ATTINY2313V-10SU](#)

Microchip Technology, Inc
SOIC-20



[ATMEGA16L-8PU](#)

Microchip Technology, Inc
PDIP-40



[ATTINY4-TSHR](#)

Microchip Technology, Inc
SOT-23-6