

Octal D-type flip-flop; positive edge-trigger; 3-state - Description: D-Type Flip-Flop; Postive-Edge Trigger (3-State); TTL Enabled ; Fmax: 48 MHz; Logic switching levels: TTL ; Number of pins: 20 ; Output drive capability: +/- 6 mA ; Power dissipati

Manufacturers	NXP Semiconductor
Package/Case	DIP20
Product Type	Power Supplies
RoHS	
Lifecycle	



Images are for reference only

Please submit RFQ for 74HCT374N or [Email to us: sales@ovaga.com](mailto:sales@ovaga.com) We will contact you in 12 hours.

[RFQ](#)

General Description

74HCT374N is a type of integrated circuit (IC) that is commonly used in digital electronics. Specifically, it is an octal D-type flip-flop with a 3-state output, which means it can store and output up to 8 bits of digital information. The "N" at the end of the part number refers to the package type, in this case, a DIP-20 (dual in-line package with 20 pins).

Features

High-speed operation: The 74HCT374N is capable of operating at speeds of up to 80 MHz.

3-state output: This allows for flexible control of the output signals, as they can be driven high, driven low, or left floating.

TTL-compatible inputs: The inputs are compatible with TTL (transistor-transistor logic) logic levels, which makes it easy to interface with other TTL-compatible devices.

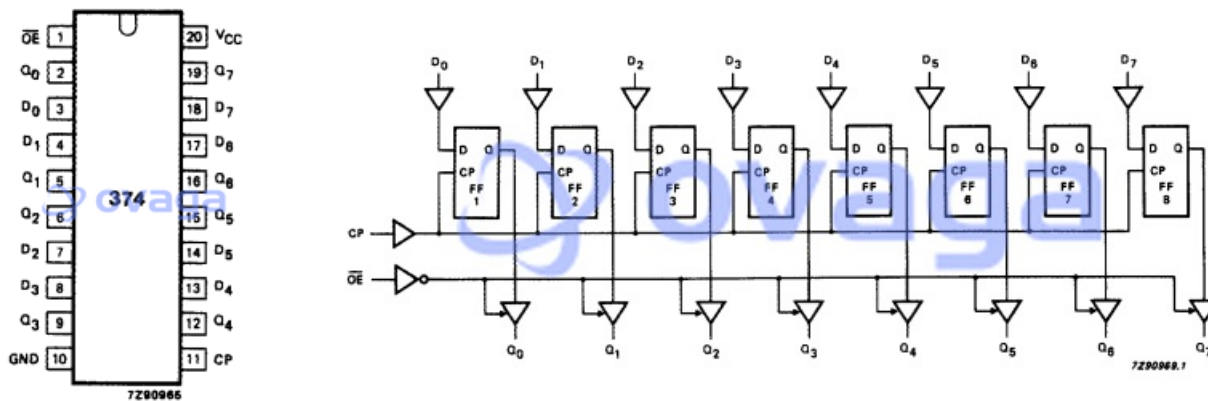
Low power consumption: The 74HCT374N has a relatively low power consumption compared to other types of ICs.

Application

Data storage: The flip-flops can be used to store data in a variety of applications, such as memory registers or data buffers.

Address decoding: The 3-state outputs can be used in address decoding circuits, where multiple devices can be connected to a common bus.

Clock signal buffering: The flip-flops can also be used to buffer clock signals in digital systems, helping to ensure that clock signals are distributed evenly and reliably throughout the system.



Related Products



[74HC273N](#)

NXP Semiconductor
DIP-20



[P89LPC935FDH](#)

NXP Semiconductor
TSSOP-28



[P89LPC936FDH](#)

NXP Semiconductor
TSSOP-28



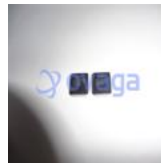
[TEA1610T](#)

NXP Semiconductor
SOP-16



[74HC139N](#)

NXP Semiconductor
DIP16



[LPC2131FBD64](#)

NXP Semiconductor
LQFP64



[LPC2114FBD64](#)

NXP Semiconductor
LQFP-64



[SA612AN](#)

NXP Semiconductor
DIP-8