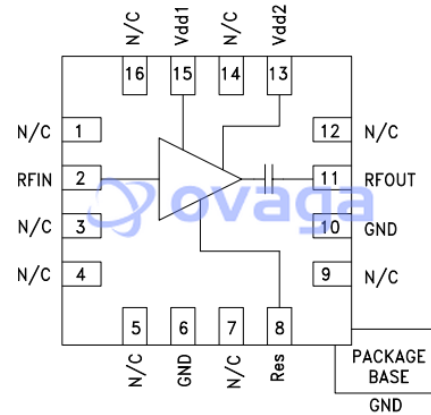


IC MMIC AMP LNA ADJ IDS 16-QFN

Manufacturers	Analog Devices, Inc
Package/Case	QFN-16
Product Type	RF Amplifiers
RoHS	Pb-free Halide free
Lifecycle	



Images are for reference only

Please submit RFQ for HMC618ALP3E or [Email to us: sales@ovaga.com](mailto:sales@ovaga.com) We will contact you in 12 hours.

[RFQ](#)

General Description

The HMC618ALP3E is a GaAs pHEMT MMIC Low Noise Amplifier that is ideal for Cellular/3G and LTE/WiMAX/4G basestation front-end receivers operating between 1.2 - 2.2 GHz. The amplifier has been optimized to provide 0.75 dB noise figure, 19 dB gain and +36 dBm output IP3 from a single supply of +5V. Input and output return losses are excellent and the LNA requires minimal external matching and bias decoupling components. The HMC618ALP3E shares the same package and pinout with the HMC617LP3E 0.55 - 1.2 GHz LNA. The HMC618ALP3E can be biased with +3V to +5V and features an externally adjustable supply current which allows the designer to tailor the linearity performance of the LNA for each application. The HMC618ALP3E offers improved noise figure versus the previously released HMC375LP3(E) and the HMC382LP3(E).

Features

Noise Figure: 0.75 dB

Gain: 19 dB

OIP3: 36 dBm

Single Supply: +3V to +5V

50 Ohm Matched Input/Output

16 Lead 3x3mm SMT Package: 9 mm²

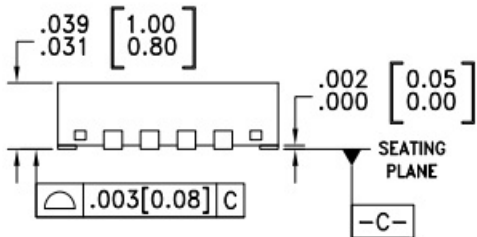
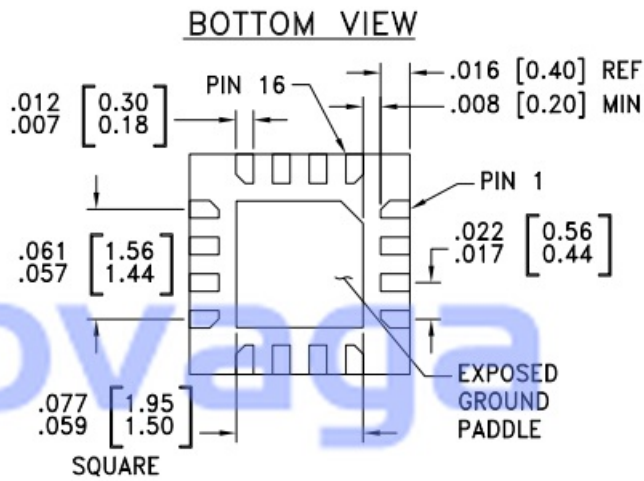
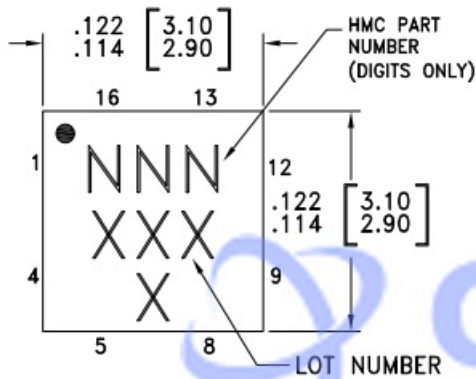
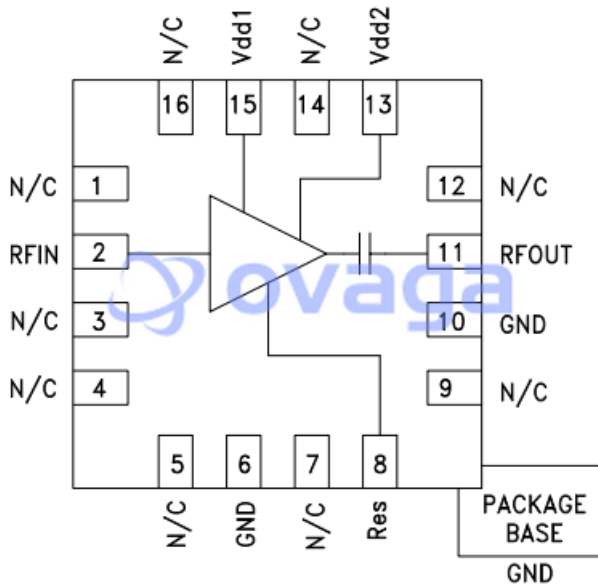
Application

Cellular/3G and LTE/WiMAX/4G

BTS & Infrastructure

Repeaters and Femto Cells

Public Safety Radio



NOTES:

1. LEADFRAME MATERIAL: COPPER ALLOY
2. DIMENSIONS ARE IN INCHES [MILLIMETERS]
3. LEAD SPACING TOLERANCE IS NON-CUMULATIVE
4. PAD BURR LENGTH SHALL BE 0.15mm MAXIMUM.
PAD BURR HEIGHT SHALL BE 0.05mm MAXIMUM.
5. PACKAGE WARP SHALL NOT EXCEED 0.05mm.
6. ALL GROUND LEADS AND GROUND PADDLE MUST BE SOLDERED TO PCB RF GROUND.
7. REFER TO HITTITE APPLICATION NOTE FOR SUGGESTED LAND PATTERN.

Related Products



[HMC3653LP3BE](#)

Analog Devices, Inc
QFN-12



[HMC253AQS24](#)

Analog Devices, Inc
24-SSOP (0.154, 3.90mm Width)



[HMC441LP3E](#)

Analog Devices, Inc
QFN-16



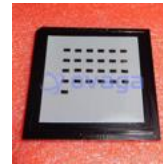
[HMC948LP3E](#)

Analog Devices, Inc
LP3



[HMC358MS8GE](#)

Analog Devices, Inc
MSOP-8



[HMC490](#)

Analog Devices, Inc
SMD



[HMC453ST89E](#)

Analog Devices, Inc
ST89E



[HMC463LP5E](#)

Analog Devices, Inc
QFN-32