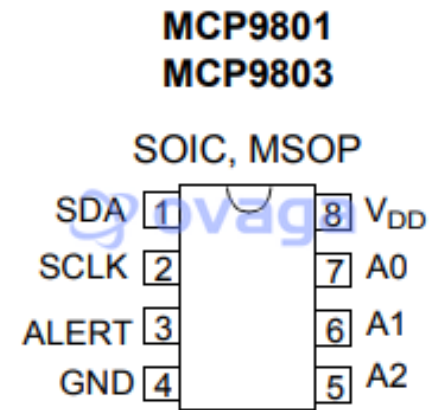


2 WIRE SERIAL TEMP, -55C to +125C, 8-MSOP, TUBE,Board Mount Temperature Sensors High-Acc 12b Therm Sensor

Manufacturers	Microchip Technology, Inc
Package/Case	MSOP-8
Product Type	Temperature Sensors
RoHS	Rohs
Lifecycle	



Images are for reference only

Please submit RFQ for MCP9803-M/MS or [Email to us: sales@ovaga.com](mailto:sales@ovaga.com) We will contact you in 12 hours.

[RFQ](#)

General Description

The MCP9803 is a digital temperature sensor capable of reading temperatures from -55°C to +125°C. Temperature data is measured from an integrated temperature sensor and converted to digital word with a user selectable 9 to 12-bit Sigma Delta Analog to Digital Converter. The MCP9803 notifies the host controller when the ambient temperature exceeds a user programmed set point. The ALERT output is programmable as either a simple comparator for thermostat operation or as a temperature event interrupt. Communication with the sensor is accomplished via a two-wire bus that is compatible with industry standard protocols. This permits reading the current temperature, programming the set point and hysteresis, and configuring the device. Address selection inputs allow up to eight MCP9803 sensors to share the same 2-wire bus for multizone monitoring. The MCP9803 also contains SMBus Timeout logic for improved system reliability. Small physical size, low installed cost, and ease of use make the MCP9803 an ideal choice for implementing sophisticated temperature system management schemes in a variety of applications.

Features

2-wire I²C™/SMBus Compatible Interface

SMBus Timeout

User Selectable 9- to 12-Bit Resolution

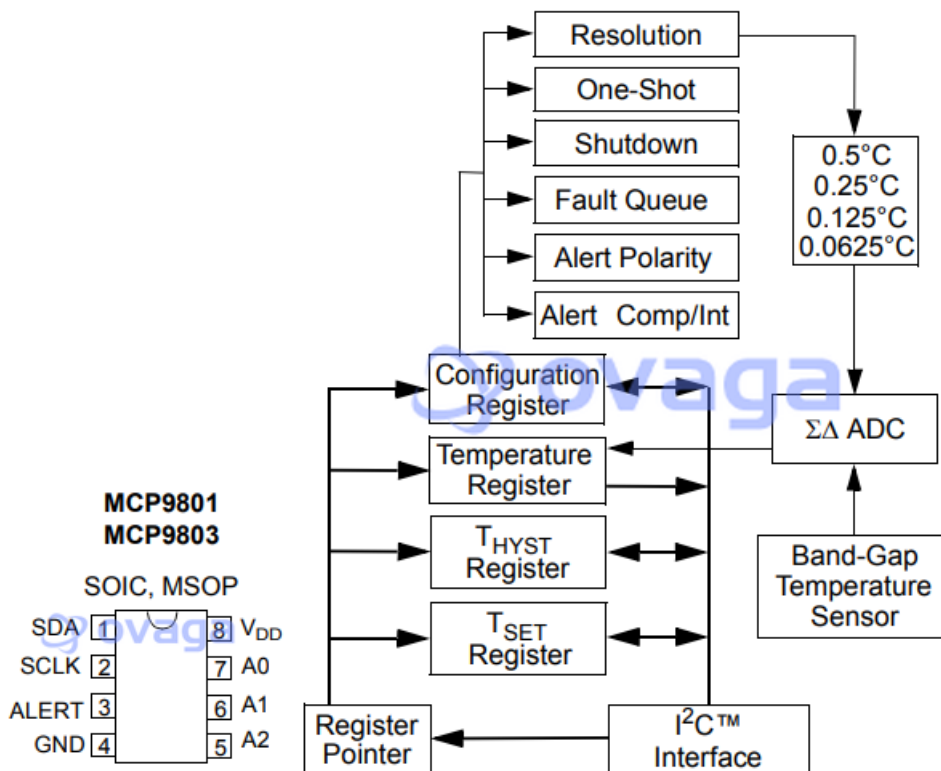
Low Operating Current: 220µA (typical)

Shutdown Mode: 1µA (max)

Power Saving One-Shot Temperature Conversion Measurement

Space Saving MSOP & SOIC Packages

AEC-Q100 Qualified Grade 1



Related Products



[MCP9701AT-E/LT](#)

Microchip Technology, Inc
SC70-5



[EMC1412-2-ACZL-TR](#)

Microchip Technology, Inc
MSOP-8



MCP9808T-E/MC

Microchip Technology, Inc
DFN-8



TC77-5.0MCTTR

Microchip Technology, Inc
SOT-23A-5



EMC1047-2-AIZL-TR

Microchip Technology, Inc
MSOP-10



MCP9804-E/MS

Microchip Technology, Inc
MSOP-8



MCP9804T-E/MC

Microchip Technology, Inc
DFN-8



MCP9803-M/SN

Microchip Technology, Inc
SOIC-8