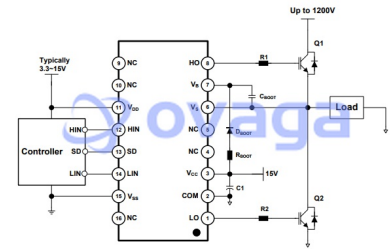


Driver 1-OUT High Side/Low Side Half Brdg Inv/Non-Inv 16-Pin SOIC W T/R

Manufacturers	<u>ON Semiconductor, LLC</u>
Package/Case	SOIC-16
Product Type	Power Management ICs
RoHS	Pb-free Halide free
Lifecycle	



Images are for reference only

Please submit RFQ for FAN73912MX or [Email to us: sales@ovaga.com](mailto:sales@ovaga.com) We will contact you in 12 hours.

[RFQ](#)

General Description

The FAN73912 is a monolithic half bridge gate-drive IC designed for high-voltage and high-speed driving for MOSFETs and IGBTs that operate up to +1200V. The advanced input filter of HIN provides protection against short-pulsed input signals caused by noise. An advanced level-shift circuit offers high-side gate driver operation up to respectively.

Features

Floating Channel for Bootstrap Operation to +1200 V

Typically 2 A/ 3 A Sourcing/Sinking Current Driving Capability for Both Channels

Gate Driver Supply (VCC) Range from 12 V to 20 V

Separate Logic Supply (VDD) Range from 3 V to 20 V

Extended Allowable Negative VS Swing to -9.8 V for Signal Propagation at VCC=>

Built-in Cycle-by-Cycle Edge-Triggered Shutdown Logic

Built-in Shoot-Through Protection Logic

Common-Mode dv/dt Noise Canceling Circuit

UVLO Functions for Both Channels

Built-in Advanced Input Filter

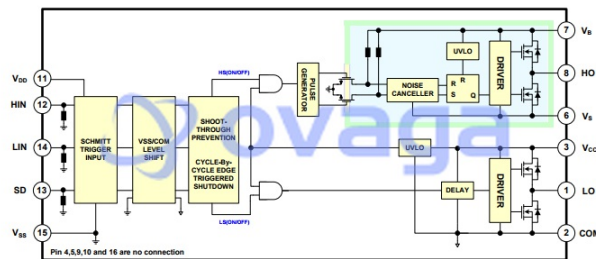
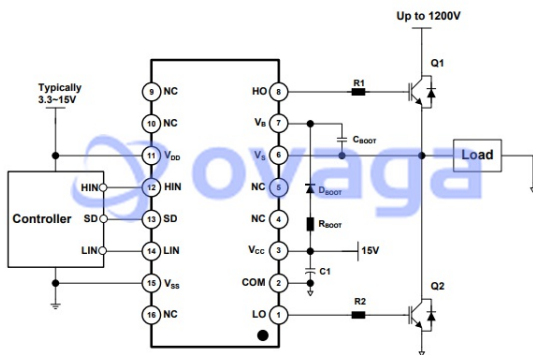
Matched Propagation Delay Below 50 ns

Outputs in-Phase with Input Signal

Logic and Power Ground +/- 10 V Offset

Application

ONSEMI



Related Products



[FAN3122TMX](#)

ON Semiconductor, LLC
SOIC-8



[FAN7602CMX](#)

ON Semiconductor, LLC
SOIC-8



[FAN7930BMX](#)

ON Semiconductor, LLC
SOP-8



[FAN7621BSJX](#)

ON Semiconductor, LLC
SOP-16



[FAN3223TMX](#)

ON Semiconductor, LLC
SOIC-8



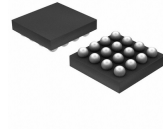
[FAN7361MX](#)

ON Semiconductor, LLC
SOP-8



[FAN48630UC50X](#)

ON Semiconductor, LLC
WLCSP-16



[FAN53611AUC18X](#)

ON Semiconductor, LLC
6-UFBGA, WLCSP