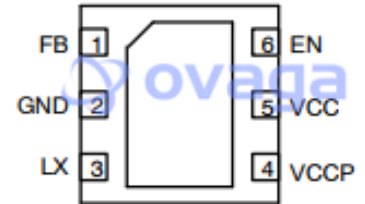


Conv DC-DC 4V to 5.5V Synchronous Step Down Single-Out 0.8V 2A 6-Pin DFN EP T/R

Manufacturers	<a href="#">ON Semiconductor, LLC</a>
Package/Case	DFN-6
Product Type	Power Management ICs
RoHS	Rohs
Lifecycle	

### PIN CONNECTIONS



Images are for reference only

Please submit RFQ for NCP1597AMNTWG or [Email to us: sales@ovaga.com](mailto:sales@ovaga.com) We will contact you in 12 hours.

RFQ

## General Description

## Application

ONSEMI

### BLOCK DIAGRAM

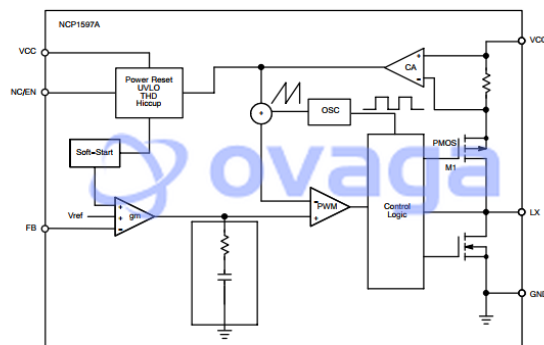
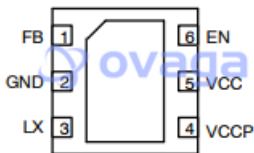


Figure 1. Block Diagram

### PIN CONNECTIONS



## Related Products



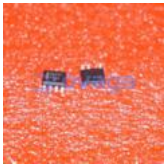
[NCP603SN330T1G](#)

ON Semiconductor, LLC  
TSOP-5



[NCP1399ACDR2G](#)

ON Semiconductor, LLC  
SOP16



[NCP1234AD65R2G](#)

ON Semiconductor, LLC  
SOIC-7



[NCP3334DADJR2G](#)

ON Semiconductor, LLC  
SOIC-8



[NCP551SN18T1G](#)

ON Semiconductor, LLC  
SOT-23-5



[NCP330MUTBG](#)

ON Semiconductor, LLC  
UDFN-4



[NCV4274ADS50R4G](#)

ON Semiconductor, LLC  
SOT263



[NCP1252ADR2G](#)

ON Semiconductor, LLC  
SOIC-8