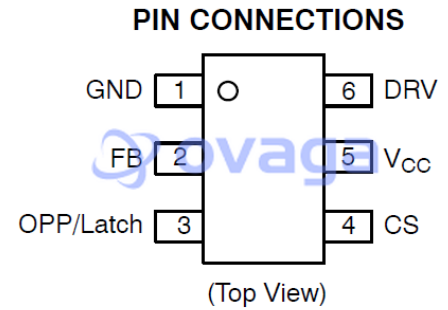


Current Mode PWM Controllers ACDC SWITCH OCP LATCH

Manufacturers	ON Semiconductor, LLC
Package/Case	TSOP-6
Product Type	Power Management ICs
RoHS	Rohs
Lifecycle	



Images are for reference only

Please submit RFQ for NCP1250ASN65T1G or [Email to us: sales@ovaga.com](mailto:sales@ovaga.com) We will contact you in 12 hours.

[RFQ](#)

General Description

Current-Mode PWM Controller for Off-line Power Supplies

The NCP1250 is a highly integrated PWM controller capable of delivering a rugged and high performance offline power supply in a tiny TSOP-6 package. With a supply range up to 28 V, the controller hosts a jittered 65 kHz or 100 kHz switching circuitry operated in peak current mode control.

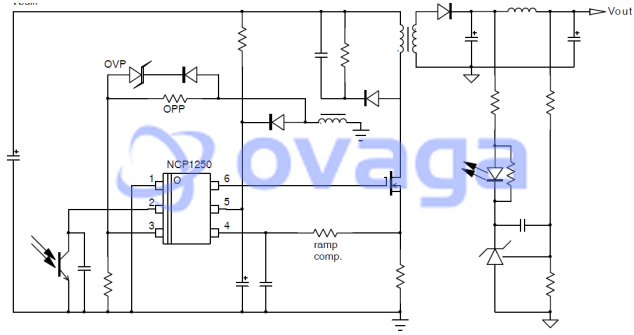
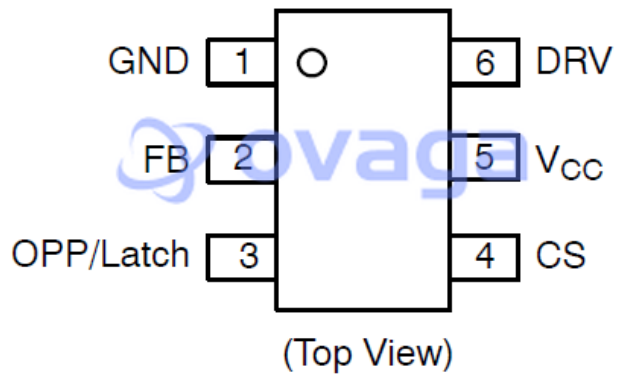
Typical Applications

- ac-dc Converters for TVs, Set-top Boxes and Printers
- Offline Adapters for Notebooks and Netbooks

Application

ONSEMI

PIN CONNECTIONS

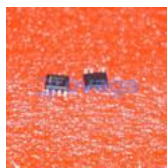


Related Products



[NCP603SN330T1G](#)

ON Semiconductor, LLC
TSOP-5



[NCP1234AD65R2G](#)

ON Semiconductor, LLC
SOIC-7



[NCP551SN18T1G](#)

ON Semiconductor, LLC
SOT-23-5



[NCV4274ADS50R4G](#)

ON Semiconductor, LLC
SOT263



[NCP1399ACDR2G](#)

ON Semiconductor, LLC
SOP16



[NCP3334DADJR2G](#)

ON Semiconductor, LLC
SOIC-8



[NCP330MUTBG](#)

ON Semiconductor, LLC
UDFN-4



[NCP1252ADR2G](#)

ON Semiconductor, LLC
SOIC-8