

COMPARATOR, 7500uV OFFSET-MAX, 200ns RESPONSE TIME, PDSO8, 0.225INCH, PLASTIC, SOP-8

Manufacturers	Renesas Technology Corp
Package/Case	SOP8L
Product Type	Comparators
RoHS	
Lifecycle	



Images are for reference only

Please submit RFQ for UPC311G2-A or [Email to us: sales@ovaga.com](mailto:sales@ovaga.com) We will contact you in 12 hours.

[RFQ](#)

General Description

Precision Voltage Comparators

Features

Input Offset Voltage: ± 2 mV (TYP.)

Input Bias Current: 100 nA (TYP.)

Pulse Response Time: 200 ns (TYP.)

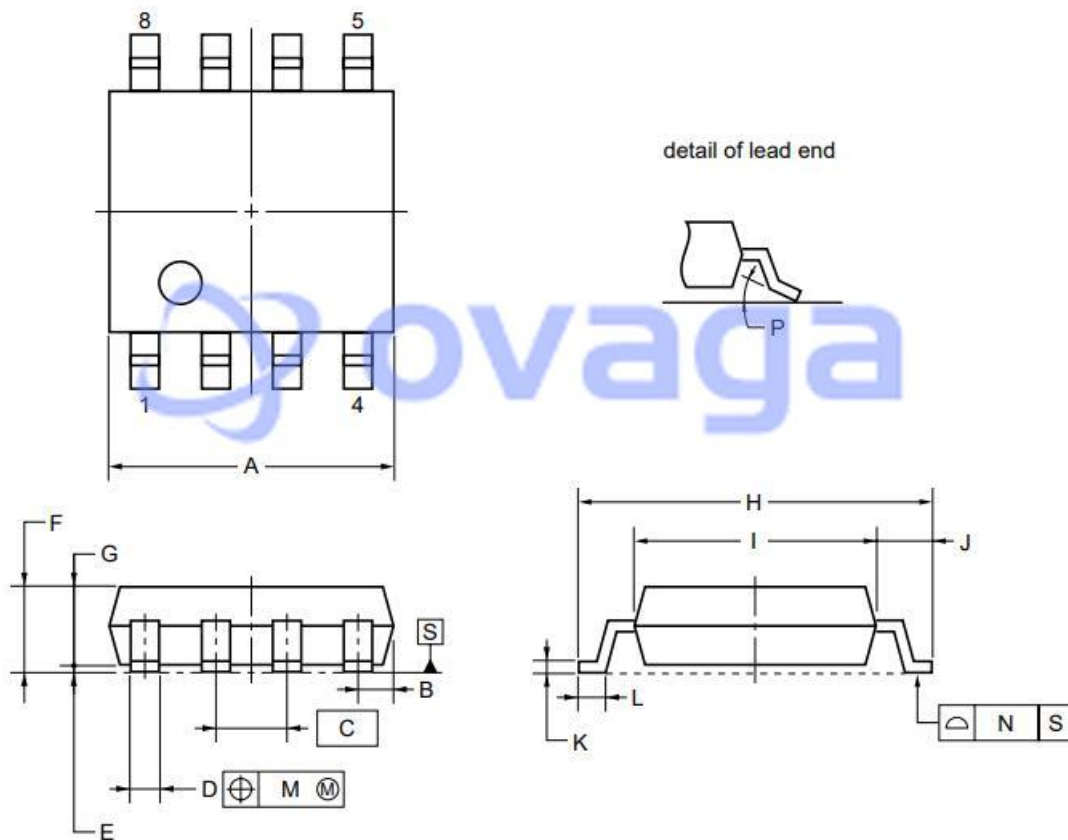
Equipped with a Strobe Terminal, ideal for interfacing with logic circuits.

Two output circuit formats are possible. (open collector, emitter follower)

Large output current capacity to directly drive the LEDs and lamps.



8-PIN PLASTIC SOP (5.72 mm (225))



Related Products



[UPC393G2-E1-A](#)

Renesas Technology Corp
SOP-8



[UPC319G2-A](#)

Renesas Technology Corp
SOP



[UPC393G2-A](#)

Renesas Technology Corp
SOP8



[HA1-4900-2](#)

Renesas Technology Corp
CDIP-16



[HA1-4902-2](#)

Renesas Technology Corp
CDIP-16



[HA17393AFEL-E](#)

Renesas Technology Corp
SOP8



[HA17339ARP](#)

Renesas Technology Corp
SOIC-14



[HA17393B](#)

Renesas Technology Corp
DIP-8