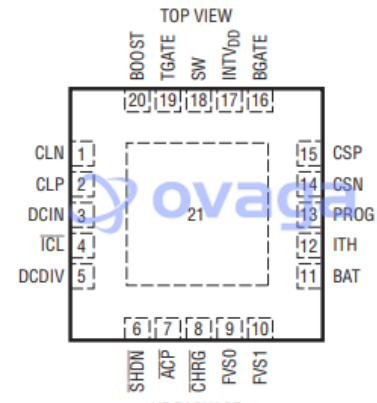


IC BATT CHRGR MC HI-EFF 20-QFN

Manufacturers	<a href="#">Analog Devices, Inc</a>
Package/Case	QFN-20
Product Type	Power Management ICs
RoHS	Pb-free Halide free
Lifecycle	



Images are for reference only

Please submit RFQ for LTC4009CUF-1#TRPBF or [Email to us: sales@ovaga.com](mailto:sales@ovaga.com) We will contact you in 12 hours.

[RFQ](#)

## General Description

The LTC4009 is a constant-current/constant-voltage battery charger controller. It uses a synchronous quasiconstant frequency PWM control architecture that will not generate audible noise with ceramic bulk capacitors. Charge current is set by the combination of external sense, input and programming resistors. With no built-in termination, the LTC4009 family charges a wide range of batteries under external control.

The LTC4009 features a fully adjustable output voltage, while the LTC4009-1 and LTC4009-2 can be pin-programmed for lithium-ion/polymer battery packs of 1-, 2-, 3- or 4-series cells. The LTC4009-1 provides output voltage of 4.1V/cell, and the LTC4009-2 is a 4.2V/cell version.

The device includes AC adapter input current limiting which maximizes the charge rate for a fixed input power level. An external sense resistor programs the input current limit, and the ICL status pin indicates when the battery charge current is being reduced as a result of AC adapter current limiting.

The CHR status pin is active during all charging modes, including special indication for low charge current.

## Features

General Purpose Battery Charger Controller

Efficient 550kHz Synchronous Buck PWM Topology

Programmable Charge Current: 4% Accuracy

Programmable AC Adapter Current Limit: 3% Accuracy

No Audible Noise with Ceramic Capacitors

Wide Input Voltage Range: 6V to 28V

Wide Output Voltage Range: 2V to 28V

Indicator Outputs for AC Adapter Present, Charging, C/10 Current Detection and Input Current Limiting

Analog Charge Current Monitor

Micropower Shutdown

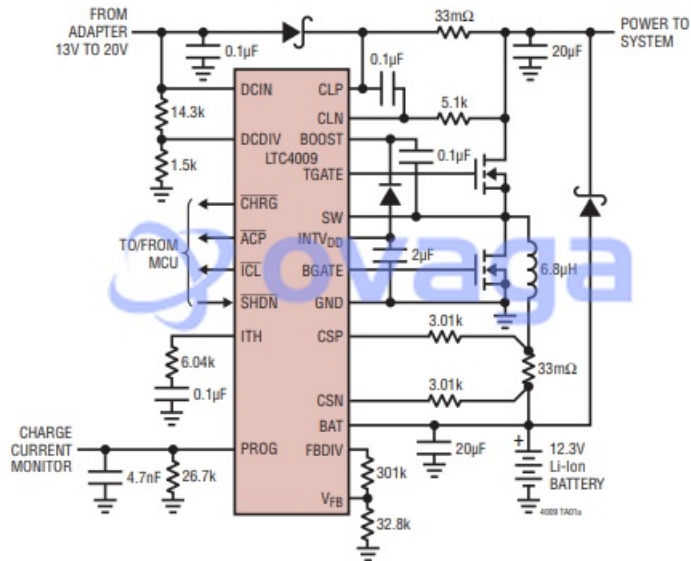
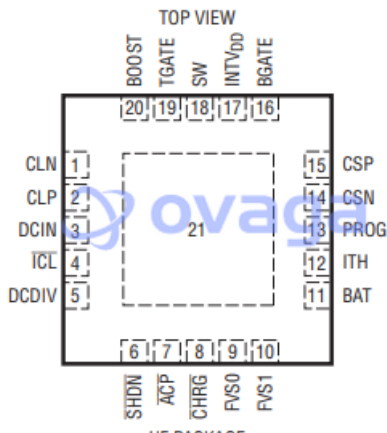
Thermally Enhanced 20-Pin 4mm × 4mm × 0.75mm QFN Package

## Application

Notebook Computers

Portable Instruments

Battery Backup Systems



## Related Products



### [LT3763EFE](#)

Analog Devices, Inc  
TSSOP28



### [LTC4417IUF](#)

Analog Devices, Inc  
QFN-24



### [LT1038CK](#)

Analog Devices, Inc  
TO-3



### [LTC3440EMS](#)

Analog Devices, Inc  
MSOP10



[LTC1966CMS8#PBF](#)

Analog Devices, Inc  
MSOP-8P



[LTM8045EY#PBF](#)

Analog Devices, Inc  
BGA40



[LTC2990IMS#PBF](#)

Analog Devices, Inc  
10MSOP



[LT4295IUFD#PBF](#)

Analog Devices, Inc  
28-WFQFN