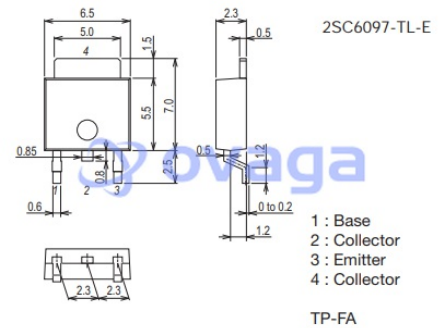


Trans GP BJT NPN 60V 3A 800mW 3-Pin(2+Tab) TP-FA T/R

Manufacturers	<u>ON Semiconductor, LLC</u>
Package/Case	SC-63
Product Type	Transistors
RoHS	Rohs
Lifecycle	



Images are for reference only

Please submit RFQ for 2SC6097-TL-E or [Email to us: sales@ovaga.com](mailto:sales@ovaga.com) We will contact you in 12 hours.

[RFQ](#)

## General Description

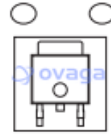
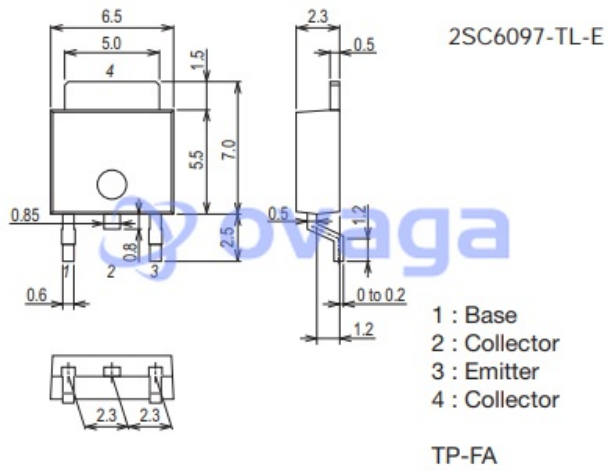
2SC6097 is a Bipolar Transistor, 60V, 3A, Low VCE(sat), NPN Single TP/TP-FA for high current switching applications.

## Features

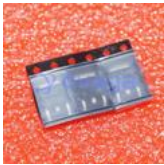
- High current capacitance
- Adoption of FBET, MBIT process
- Low collector-to-emitter saturation voltage
- High allowable power dissipation
- High-speed switching

## Application

ONSEMI



## Related Products



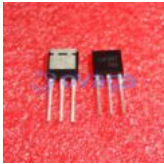
### [2SC4027S-TL-E](#)

ON Semiconductor, LLC  
TO-252



### [2SC5707-E](#)

ON Semiconductor, LLC  
TO-251



### [2SC4135T-E](#)

ON Semiconductor, LLC  
TO-251



### [2SD1815S-TL-E](#)

ON Semiconductor, LLC  
TO-252



### [2SC5964-TD-E](#)

ON Semiconductor, LLC  
SOT-89



### [2SC3648S-TD-E](#)

ON Semiconductor, LLC  
SOT-89



### [2SA2125-TD-E](#)

ON Semiconductor, LLC  
SOT-89



### [2SA2016-TD-E](#)

ON Semiconductor, LLC  
SOT-89-3