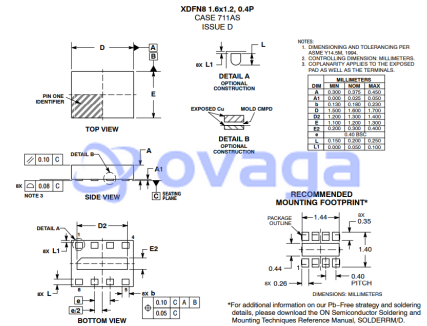


LDO Regulator Pos 1.75V 1A 8-Pin XDFN EP T/R

Manufacturers	ON Semiconductor, LLC
Package/Case	8-XDFDN
Product Type	Power Management ICs
RoHS	
Lifecycle	



Images are for reference only

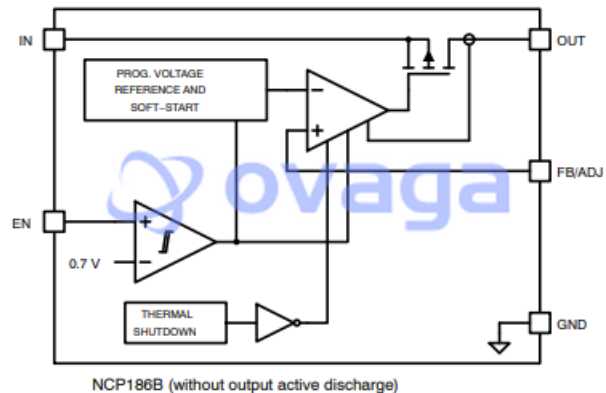
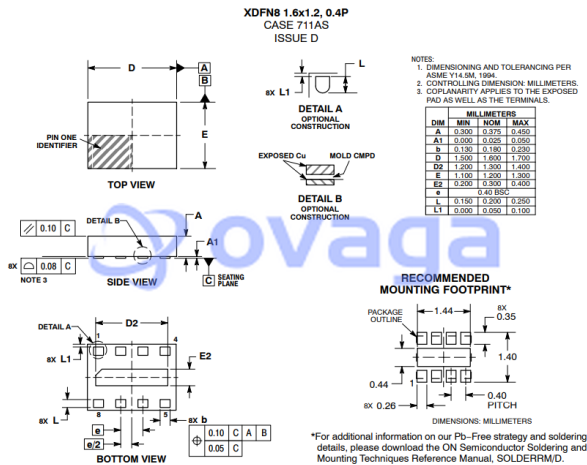
Please submit RFQ for NCP186BMX175TAG or [Email to us: sales@ovaga.com](mailto:sales@ovaga.com) We will contact you in 12 hours.

[RFQ](#)

General Description

Application

ONSEMI



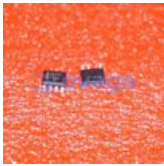
Related Products



[NCP603SN330T1G](#)
ON Semiconductor, LLC
TSOP-5

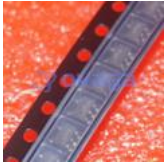


[NCP1399ACDR2G](#)
ON Semiconductor, LLC
SOP16



[NCP1234AD65R2G](#)

ON Semiconductor, LLC
SOIC-7



[NCP551SN18T1G](#)

ON Semiconductor, LLC
SOT-23-5



[NCV4274ADS50R4G](#)

ON Semiconductor, LLC
SOT263



[NCP3334DADJR2G](#)

ON Semiconductor, LLC
SOIC-8



[NCP330MUTBG](#)

ON Semiconductor, LLC
UDFN-4



[NCP1252ADR2G](#)

ON Semiconductor, LLC
SOIC-8