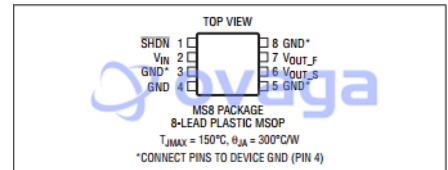


Low Noise 0.25ppm, Low Drift Precision Buffered Reference Family, 8-Lead Plastic MSOP,
Temperature Range: -40°C to 125°C



Manufacturers	Analog Devices, Inc
Package/Case	8MSOP
Product Type	Power Management ICs
RoHS	Pb-free Halide free
Lifecycle	

Images are for reference only

Please submit RFQ for LTC6655BHMS8-1.25#PBF or [Email to us: sales@ovaga.com](mailto:sales@ovaga.com) We will contact you in 12 hours.

[RFQ](#)

General Description

The LTC6655 is a complete family of precision bandgap voltage references, offering exceptional noise and drift performance. This low noise and drift is ideally suited for the high resolution measurements required by instrumentation and test equipment. In addition, the LTC6655 is fully specified over the temperature range of -40°C to 125°C , ensuring its suitability for demanding automotive and industrial applications. Advanced curvature compensation allows this bandgap reference to achieve a drift of less than $2\text{ppm}/^{\circ}\text{C}$ with a predictable temperature characteristic and an output voltage accurate to $\pm 0.025\%$, reducing or eliminating the need for calibration.

The LTC6655LN Low Noise comes with a noise reduction pin that enables reduction of wideband noise with the addition of a single capacitor.

The LTC6655 can be powered from as little as 500mV above the output voltage to as much as 13.2V. Superior load regulation with source and sink capability, coupled with exceptional line rejection, ensures consistent performance over a wide range of operating conditions. A shutdown mode is provided for low power applications.

The LTC6655 references are offered in an 8-lead MSOP package and an 8-lead LS8 package. The LS8 is a $5\text{mm} \times 5\text{mm}$ surface mount hermetic package that provides outstanding stability.

APPLICATIONS

Features

Low Noise:

0.25ppm

P-P

P-P

0.21ppm

RMS

Low Drift: 2ppm/°C Max

High Accuracy: $\pm 0.025\%$ Max

No Humidity Sensitivity (LS8 Package)

Thermal Hysteresis (LS8): 30ppm (-40°C to 85°C)

Long-Term Drift (LS8): 20ppm/ $\sqrt{\text{t}}$

kHr

0.25ppm

P-P

P-P

0.21ppm

RMS

100% Tested at -40°C , 25°C and 125°C

Load Regulation: $<10\text{ppm/mA}$

Sinks and Sources Current: $\pm 5\text{mA}$

Low Dropout: 500mV

Maximum Supply Voltage: 13.2V

Low Power Shutdown: $<20\mu\text{A}$ Max

Available Output Voltages: 1.25V, 2.048V, 2.5V, 3V, 3.3V, 4.096V, 5V

Available in an 8-Lead MSOP and High Stability Hermetic $5\text{mm} \times 5\text{mm}$ LS8 Packages

Application

Instrumentation and Test Equipment

High Resolution Data Acquisition Systems

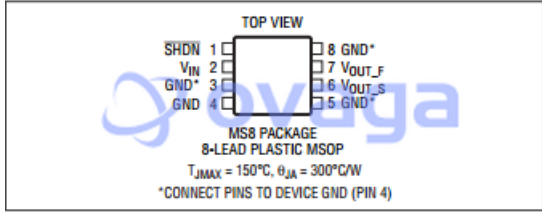
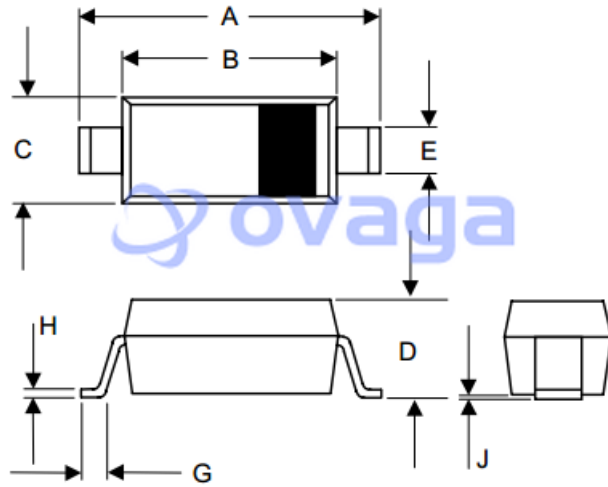
Weigh Scales

Precision Battery Monitors

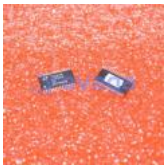
Precision Regulators

Medical Equipment

SOD-323



Related Products



[LT3763EFE](#)

Analog Devices, Inc
TSSOP28



[LTC4417IUF](#)

Analog Devices, Inc
QFN-24



[LTC1966CMS8#PBF](#)

Analog Devices, Inc
MSOP-8P



[LTM8045EY#PBF](#)

Analog Devices, Inc
BGA40



[LT1038CK](#)

Analog Devices, Inc
TO-3



[LTC3440EMS](#)

Analog Devices, Inc
MSOP10



[LTC2990IMS#PBF](#)

Analog Devices, Inc
10MSOP



[LT4295IUFD#PBF](#)

Analog Devices, Inc
28-WFQFN