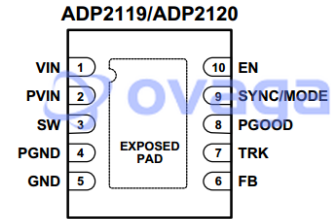


DC/DC Switching Regulators 2A Synchronous Step Down DC-DC Converter

Manufacturers	Analog Devices, Inc
Package/Case	LFCSP-10
Product Type	Power Management ICs
RoHS	Rohs
Lifecycle	



Images are for reference only

Please submit RFQ for ADP2119ACPZ-2.5-R7 or [Email to us: sales@ovaga.com](mailto:sales@ovaga.com) We will contact you in 12 hours.

[RFQ](#)

General Description

The ADP2119/ADP2120 can support input voltages from 2.3V to 5.5V. The output voltage can be adjusted from 0.6V to input voltage (VIN) for the adjustable version, while the fixed output version is available in preset output voltage options of 3.3V, 2.5V, 1.8V, 1.5V, 1.2V and 1.0V. The ADP2119/ADP2120 require minimal external parts and provide a high efficiency solution with their integrated power switches, synchronous rectifier, and internal compensation. Each IC draws less than 3 μ A current from the input source when it is disabled. Other key features include under voltage lockout(UVLO), integrated soft start to limit inrush current at startup, overvoltage protection (OVP), over current protection (OCP) and thermal shutdown (TSD).

Applications

Point of load conversion

Communications and networking equipments

Industrial and instrumentation

Consumer electronics

Medical appliances

Features

Continuous output current: 2A

145 mΩ and 70 mΩ integrated FET

Input voltage range from 2.3 V to 5.5 V

Output voltage from 0.6V to VIN

1.2MHz fixed switching frequency

Synchronizable between 1.0MHz and 2MHz

Selectable PWM or PFM mode operation

Current mode architecture

Precision threshold enable input

Power-good flag

Voltage tracking input

Integrated soft start

Internal compensation

Start up with precharged output

UVLO, OVP, OCP, and thermal shutdown

Available in 10-lead 3mm x 3mm LFCSP_WD package

Application

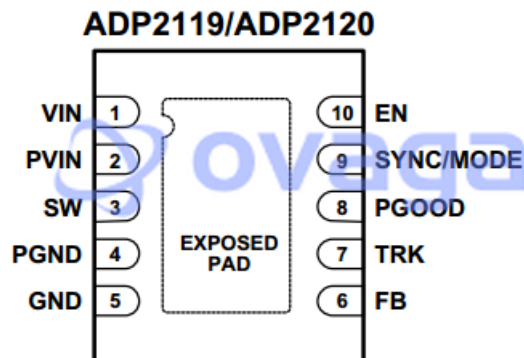
Point of load conversion

Communications and networking equipments

Industrial and instrumentation

Consumer electronics

Medical appliances



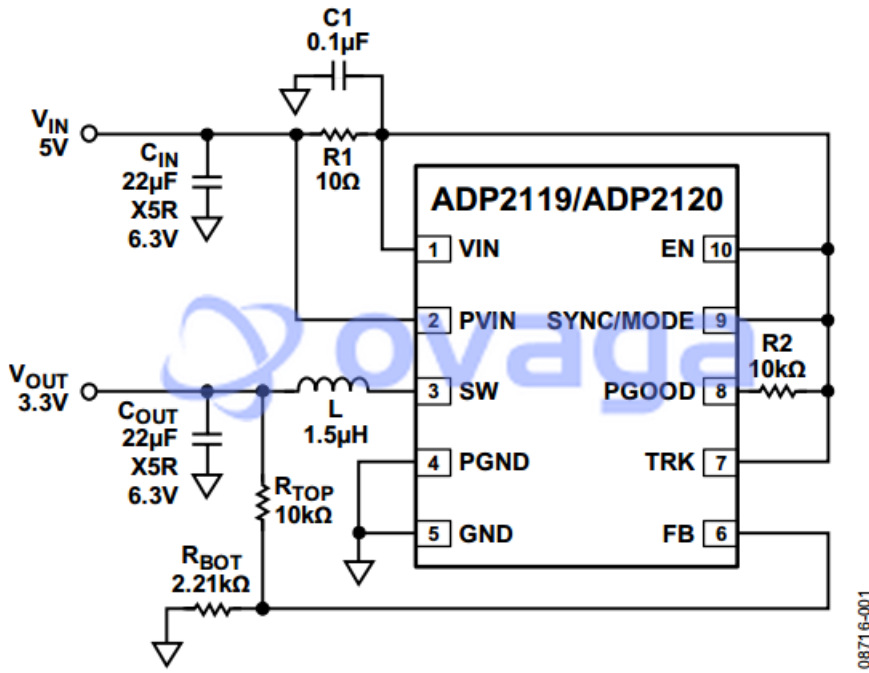


图1.

Related Products



[ADP3336ARMZ-REEL7](#)

Analog Devices, Inc
MSOP-8



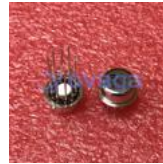
[AD737JRZ](#)

Analog Devices, Inc
SOP-8



[ADP3367ARZ](#)

Analog Devices, Inc
SOIC-8



[AD636JH](#)

Analog Devices, Inc
TO-100-10



[ADP3330ARTZ3.3-RL7](#)

Analog Devices, Inc
SOT-23-6



[ADR434BRZ](#)

Analog Devices, Inc
SOIC-8



[ADR421ARZ](#)

Analog Devices, Inc
SOP-8



[ADR3412ARJZ-R7](#)

Analog Devices, Inc
SOT-23-6