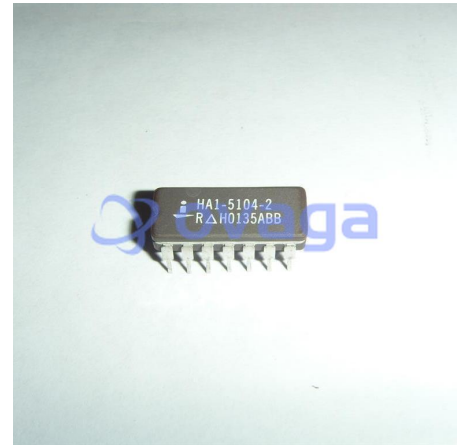


INTERSIL HA1-5104-2 Operational Amplifier, Single, 1 Amplifier, 8MHz, 3V/ μ s, 5V to 18V, DIP, 14Pins

Manufacturers	Renesas Technology Corp
Package/Case	DIP-14
Product Type	Amplifier ICs
RoHS	
Lifecycle	



Images are for reference only

Please submit RFQ for HA1-5104-2 or [Email to us: sales@ovaga.com](mailto:sales@ovaga.com) We will contact you in 12 hours.

[RFQ](#)

General Description

Low noise and high performance are key words describing the unity gain stable HA-5104/883. This general purpose quad amplifier offers an array of dynamic specifications including 1V/ μ s slew rate (min), and 8MHz bandwidth (typ). Complementing these outstanding parameters are very low noise specifications of 4.3nV/ $\sqrt{\text{Hz}}$ at 1kHz (typ) or 6nV/ $\sqrt{\text{Hz}}$ (max). Fabricated using the Intersil standard high frequency D.I. process, these operational amplifiers also offer excellent input specifications such as 2.5mV (max) offset voltage and 75nA (max) offset current. Complementing these specifications are 100dB (min) open loop gain and 55dB channel separation (min). Economically, the HA-5104/883 also consumes a very moderate amount of power (225mW per package) while also saving board space and cost. This impressive combination of features make this amplifier ideally suited for designs ranging from audio amplifiers and active filters to the most demanding signal conditioning and instrumentation circuits.

Features

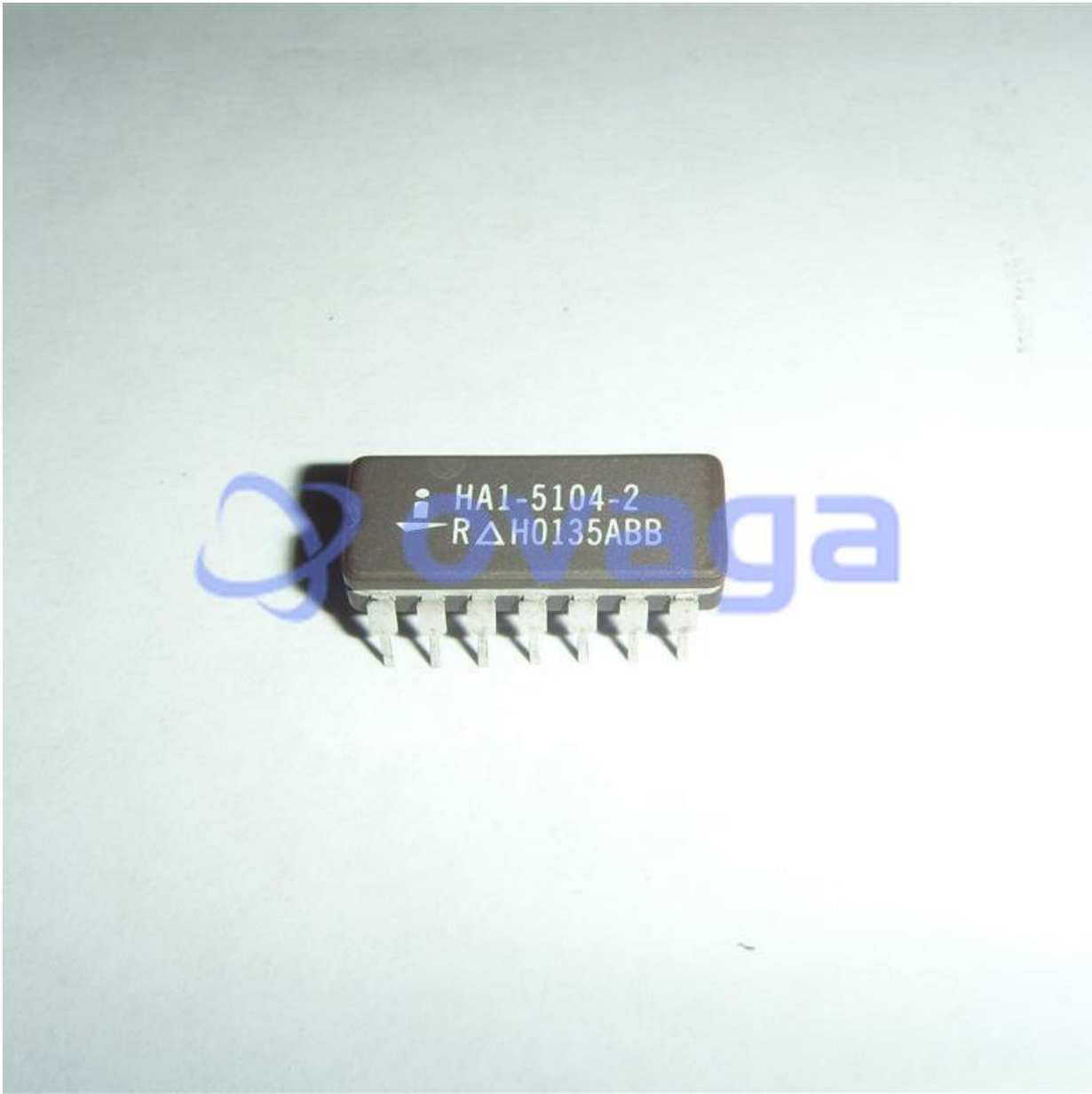
Low Noise 4.3nV/ $\sqrt{\text{Hz}}$

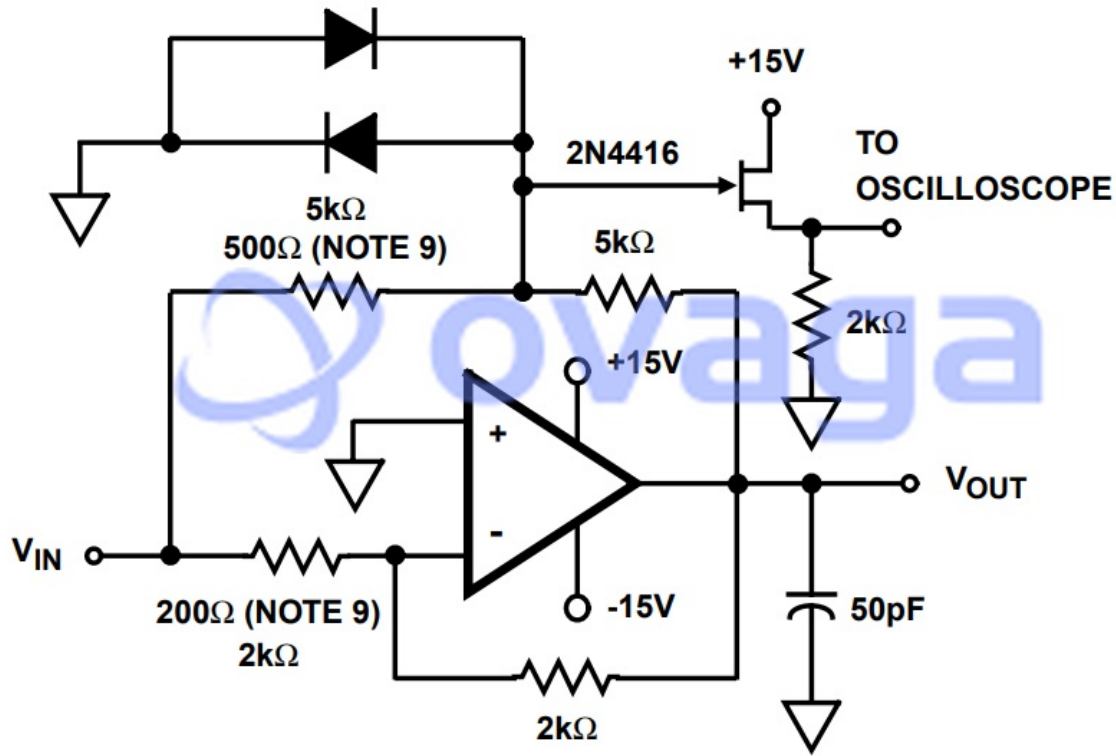
Bandwidth 8MHz (Compensated)

Slew Rate 3V/ μ s (Compensated)

Low Offset Voltage 0.5mV

Available in Duals or Quads



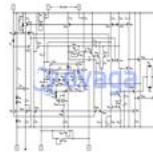


Related Products



[HA17358B](#)

Renesas Technology Corp
DIP-8



[HA7-5147-2](#)

Renesas Technology Corp
CDIP-8



[HA7-5102-2](#)

Renesas Technology Corp
CDIP-8



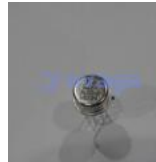
[HA2-5002-2](#)

Renesas Technology Corp
8-Pin Metal Can



[HA7-2640-2](#)

Renesas Technology Corp
CDIP-8



[HA2-2620-2](#)

Renesas Technology Corp
8-Pin Metal Can



[HA2-2520-2](#)

Renesas Technology Corp
8-Pin Metal Can



[HA17324A](#)

Renesas Technology Corp
DIP-14