

PB-FREE PERIPH PRG-I/O 5V 8MHZ 44 MQFP COM HT SUS CODE:8542390000

Manufacturers	Renesas Technology Corp
Package/Case	44-MQFP
Product Type	Interface ICs
RoHS	
Lifecycle	



Images are for reference only

Please submit RFQ for CQ82C55AZ or [Email to us: sales@ovaga.com](mailto:sales@ovaga.com) We will contact you in 12 hours.

[RFQ](#)

General Description

Features

Pb-Free Plus Anneal Available (RoHS Compliant) (See Ordering Info)

Pin Compatible with NMOS 8255A

24 Programmable I/O Pins

Fully TTL Compatible

High-Speed, No "Wait State" Operation with 5MHz and 8MHz 80C86 and 80C88

Direct Bit Set/Reset Capability

Enhanced Control Word Read Capability

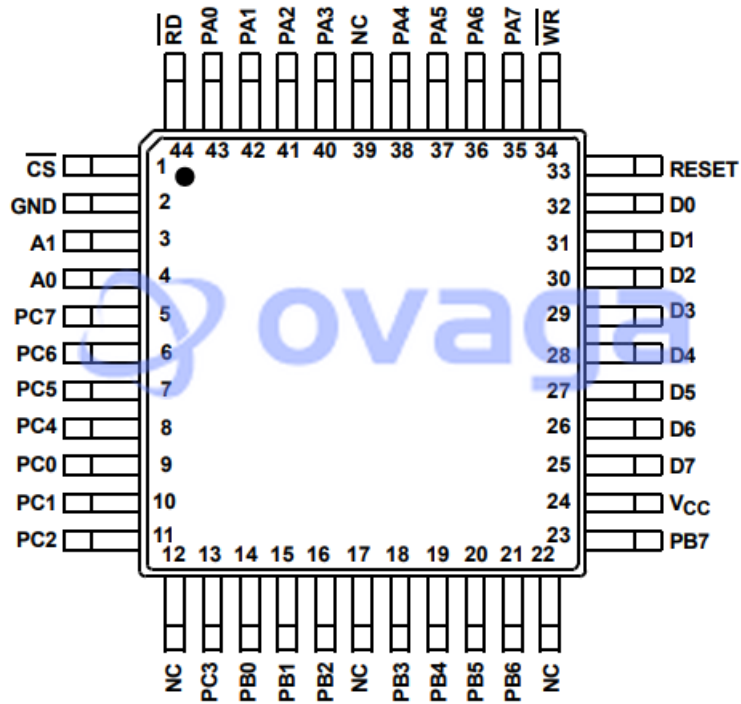
L7 Process

2.5mA Drive Capability on All I/O Ports

Low Standby Power (ICCSB) 10 μ A



82C55A (MQFP)
TOP VIEW

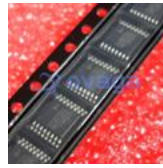


Related Products



[ISL83491IBZ](#)

Renesas Technology Corp
SOIC-14



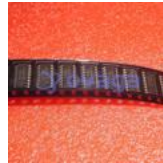
[ICL3221EIVZ](#)

Renesas Technology Corp
TSSOP-16



[ISL3170EIUZ](#)

Renesas Technology Corp
MSOP-10



[HIN202EIBNZ](#)

Renesas Technology Corp
SOIC-16



[ISL99227FRZ-T](#)

Renesas Technology Corp
32-PowerWFQFN



[ISL83078EIBZA](#)

Renesas Technology Corp
SOIC-8



[ISL83072EIBZA](#)

Renesas Technology Corp
SOIC-8



[ISL81487EIBZ](#)

Renesas Technology Corp
SOP-8