

Line Transmitter/Receiver 2TR 2TX 2RX 16-Pin SOIC N

| | |
|---------------|-------------------------------------|
| Manufacturers | Analog Devices, Inc |
| Package/Case | SOP-16 |
| Product Type | Interface ICs |
| RoHS | |
| Lifecycle | |



Images are for reference only

Please submit RFQ for MAX202ECSE or [Email to us: sales@ovaga.com](mailto:sales@ovaga.com) We will contact you in 12 hours.

[RFQ](#)

General Description

MAX202ECSE is a type of integrated circuit (IC) that belongs to the MAX202 family of RS-232 transceivers. It is designed to interface between a UART device and an RS-232 communication line.

Features

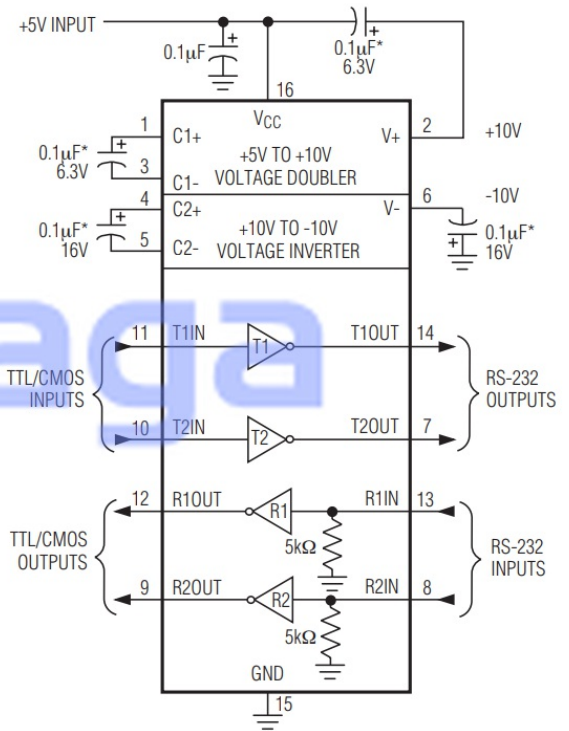
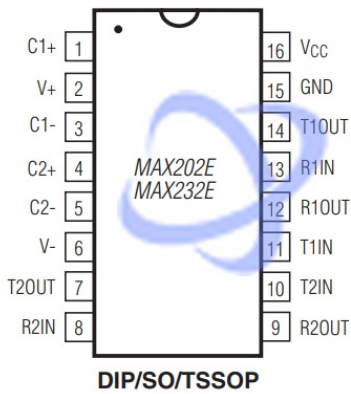
- Dual transmitter/receiver RS-232 interface
- ±15kV ESD protection on RS-232 inputs/outputs
- 120kbps data rate
- Operates from a single +5V power supply
- Low-power shutdown mode
- Available in a 16-pin QSOP package

Application

- Serial communication interfaces in computers, servers, and other electronic devices
- Industrial automation and control systems
- Point-of-sale (POS) terminals
- Security systems
- Test and measurement equipment



TOP VIEW



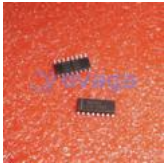
PIN NUMBERS ON TYPICAL OPERATING CIRCUIT REFER TO DIP/SO/TSSOP PACKAGE, NOT LCC.
 * 1.0µF CAPACITORS, MAX232E ONLY.

Related Products



[MAX3232EEUE](#)

Analog Devices, Inc
TSSOP-16



[MAX202CSE](#)

Analog Devices, Inc
SOP-16



[MAX3221EEUE](#)

Analog Devices, Inc
TSSOP-16



[MAX490MJA](#)

Analog Devices, Inc
CDIP-8



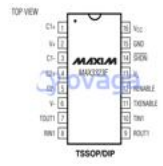
[MAX4544EUT+T](#)

Analog Devices, Inc
SOT-23-6



[MAX485ECPA](#)

Analog Devices, Inc
DIP-8



[MAX3233EEUE](#)

Analog Devices, Inc
TSSOP-16



[MAX3232EUE](#)

Analog Devices, Inc
TSSOP-16